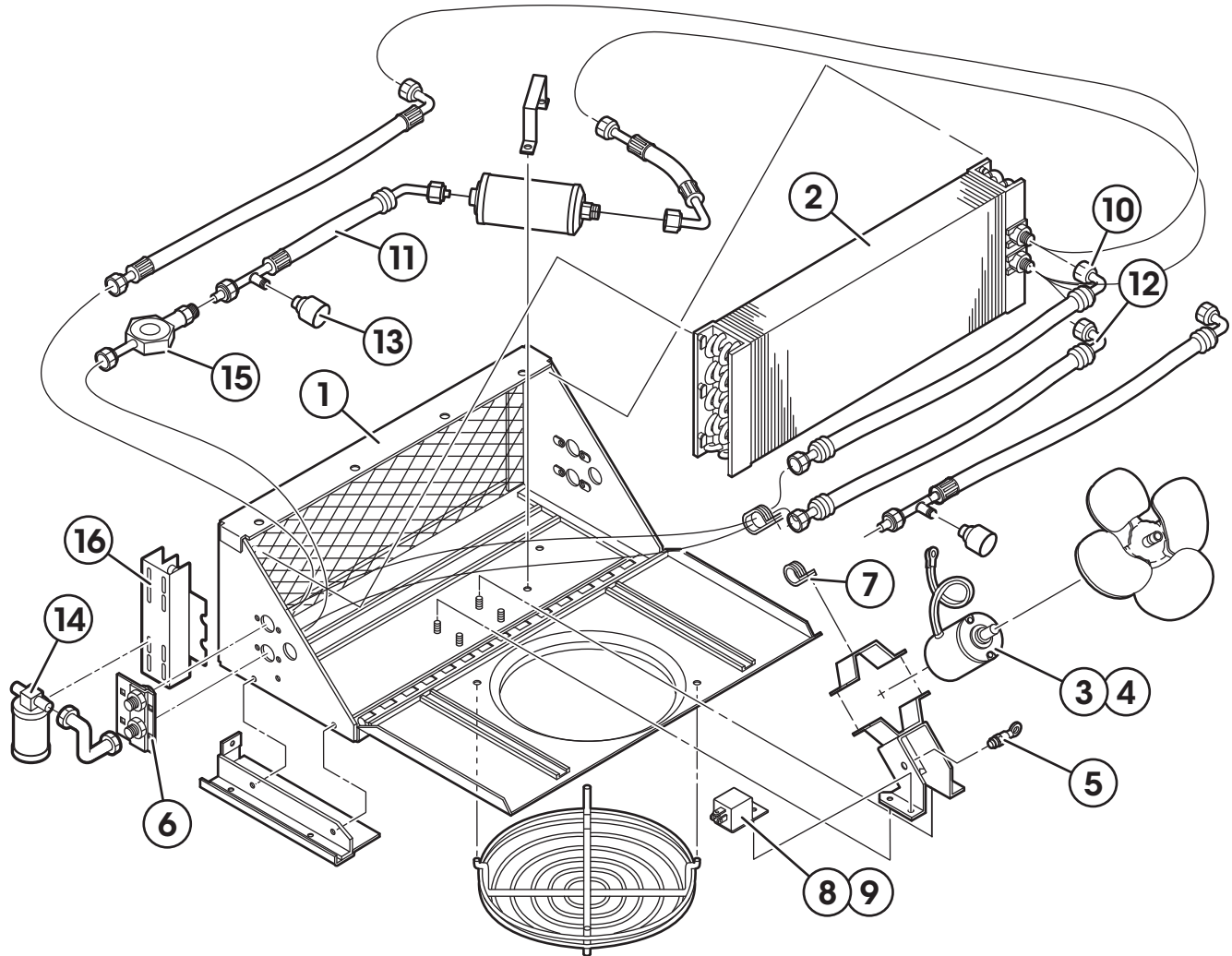


Remote Mount Condenser Model R-9720-3

SERVICE PARTS LIST



ITEM	NOTE	PART NO.	DESCRIPTION	CAT. NO.
1		RD-4-6677-0P	Housing Assembly	
2		RD-4-4069-1P	Condenser Assembly	77R0110
3	B	RD-5-13259-2P	Fan/Motor Assembly (12v)	
4	C	RD-5-13259-3P	Fan/ Motor Assembly (24v)	
5		RD-5-4216-0P	Diode	71R1900
6		RD-4-3804-0P	Fitting Bracket Assembly	
7		RD-5-4666-0M	Clamp, Single Hose	70R5708
8	B	RD-5-6690-0P	Relay (12v)	71R1902
9	C	RD-5-6693-0P	Relay (24v)	71R1904

ITEM	NOTE	PART NO.	DESCRIPTION	CAT. NO.
10		RD-2-1659-26P	#6 to #8 Refrigerant Hose Assembly	
11		RD-2-1784-12P	#6 Refrigerant Hose Assembly-#6	
12		RD-2-0815-8.50P	#6 Refrigerant Hose Assembly-#6	
13		RD-5-8433-0P	Binary Switch Assembly	71R7075
14		RD-5-7064-1P	Receiver Drier	74R0462
15		RD-5-4903-0P	Moisture Indicator	70R3500
16		RD-4-4253-1P	Bracket Assembly, Drier	
17	A	RD-5-8086-0P	Rubber tie down handles (2)	

NOTES: A= Not shown B= For Unit RD-9720-12P (12v) C= For Unit RD-9720-12-24P (24v)

RED DOT CORPORATION

P.O.Box 58270 Seattle, WA 98138 (206) 575-3840 AMCustomerService@RedDotCorp.com

RD-4-4127-0 (REV D)

FOR REFERENCE ONLY. SUBJECT TO CHANGE WITHOUT NOTICE